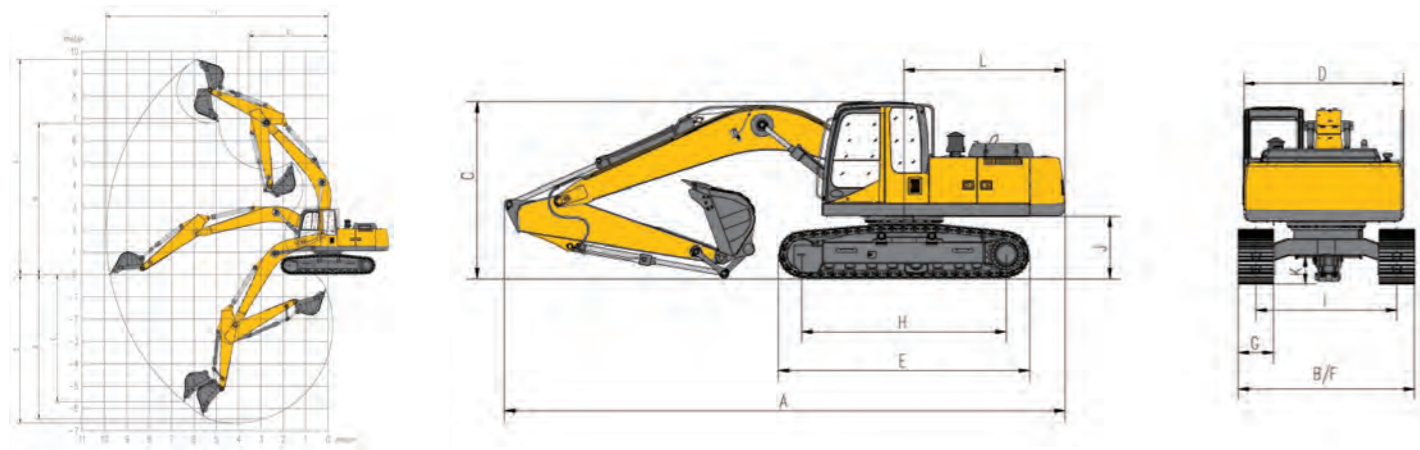


XE215C

Hydraulic Excavator

Overall dimensions and working range



Main Technical Parameters

		Unit	Parameters
Model	Operating weight	kg	21450
	Bucket capacity	m ³	0.8-1.0
Engine	Engine model	/	ISUZU BB-6BG1TRP
	Direct injection	/	√
	4 × strokes	/	√
	Water cooling	/	√
	Turbocharging	/	√
	Cylinders	/	6
	Output power of engine	kW/rpm	106.5/1950
Main performance	Max. torque / speed	N.m/rpm	551/1600
	Displacement	L	6.494
	Travel speed	km/h	5.5/3.3
	Slewing speed	r/min	13.3
	Gradient capability	°	≤35°
Hydraulic system	Ground pressure	kPa	45.5
	Digging capacity of bucket	kN	138
	Digging capacity of bucket rod	kN	103
	Max. traction	kN	184
Oil volume	Main pump	/	Two plunger pumps
	Rated flow of main pump	L/min	2×206
	Pressure of main safety valve	MPa	31.5/34.3
	Pressure of traveling system	MPa	34.3
	Pressure of swing system	MPa	28
Hydraulic system	Pressure of pilot system	MPa	3.9
	Fuel tank capacity	L	360
	Hydraulic tank capacity	L	220
Oil volume	Engine oil volume	L	25

		Unit	Parameters
Appearance size	A Total length	mm	9525
	B Total width	mm	2990
	C Total height	mm	3000
	D Width of rotary table	mm	2710
	E Length of track	mm	4270
	F Total width of chassis	mm	2990
	G Width of track	mm	600
	H Wheelbase of track	mm	3462
	I Track gauge	mm	2390
	J Counterweight ground clearance	mm	1050
	K Min. ground clearance	mm	470
	L Min. tail swing radius	mm	2750
Working scope	A Max. digging height	mm	9640
	B Max. unloading height	mm	6800
	C Max. digging depth	mm	6655
	D Digging depth at the range of 8 feet horizontally	mm	6470
Standard configuration	E Max. vertical digging depth	mm	5695
	F Max. digging radius	mm	9925
	G Max. swing radius	mm	3530
Optional configuration	Boom length	mm	5680
	Length of bucket rod	mm	2910
	Bucket capacity	m ³	0.93
Optional configuration	Length of bucket rod	mm	2530
	Bucket capacity	m ³	1.0 Earthmoving bucket 0.8 Rock bucket

For more information on XCMG products, dealer services, and industry solutions, visit us on the web at www.xcmg.com

1st Jan 2014 XCMG
All Rights Reserved

Materials and specifications are subject to change without notice. Featured machines in photos may include additional equipment. See your XCMG dealer for available options.

XCMG, WWW.XCMG.COM, their respective logos, "XCMG For Your Success", as well as the corporate and product identity used herein, are trademarks of XCMG and may not be used without permission.



XUZHOU CONSTRUCTION MACHINERY GROUP IMP.& EXP.CO.,LTD

XCMG Headquarters, Xuzhou Economic Development Zone, Jiangsu, China 221004

(+86-516) 87739230

XCMG Regional Departments:

West Asia & North Africa (+86-516) 87739251 87739202 87739223
 Asia-Pacific (+86-516) 87739500 87739529 87739233
 Central Asia (+86-516) 87739218 87739239 87739510
 North America (+86-516) 87739285 87739551 87739713
 South America (+86-516) 87739196 87739714 87739187
 Africa (+86-516) 87739501 87739222 87739709
 Europe (+86-516) 87739238 87739271 87739228

export@xcmg.com

WWW.XCMG.COM



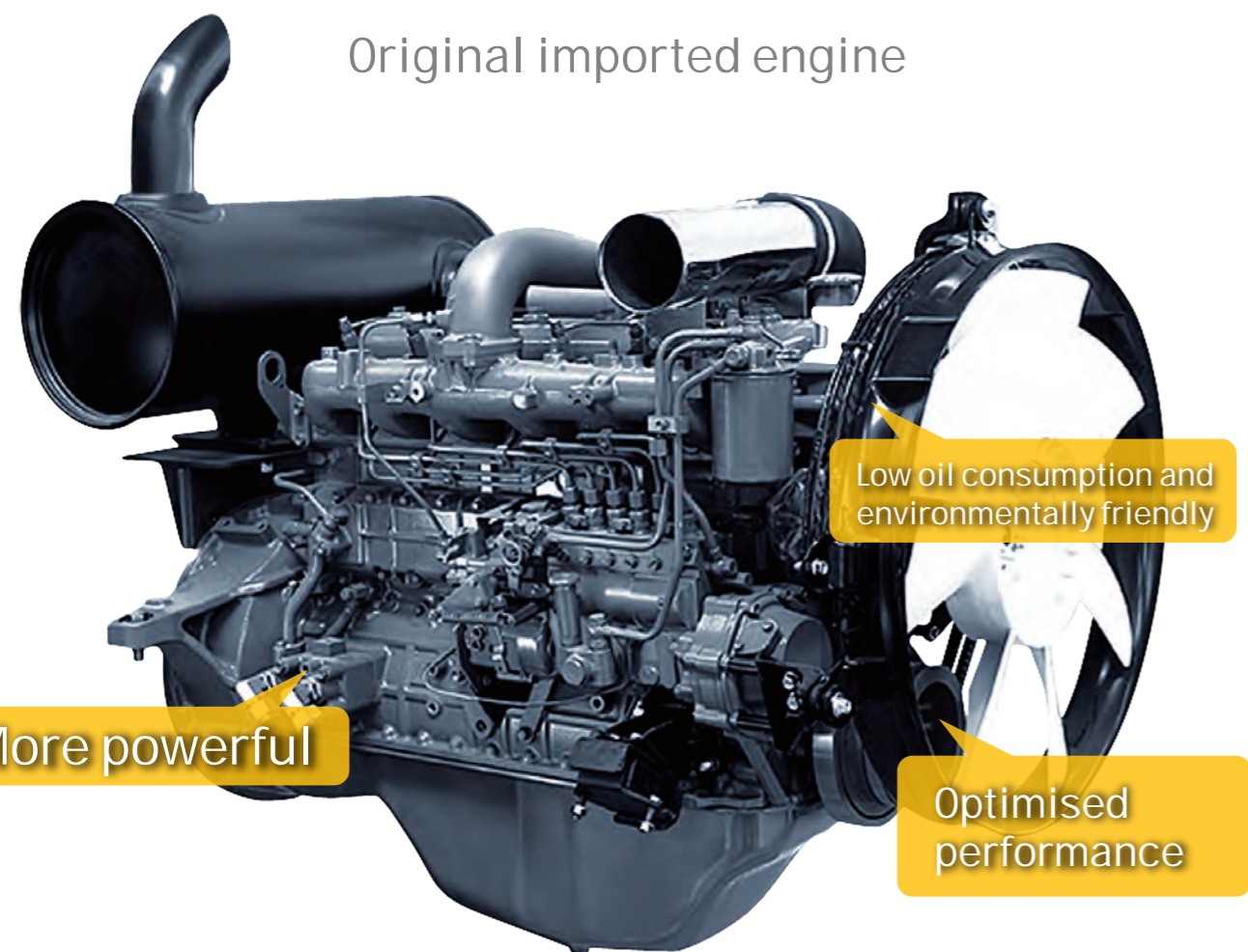
XCMG For Your Success

Bucket Capacity (m³) 0.8-1.0
 Operating Weight (Kg) 21450
 Rated Engine Power (Kw/rpm) 106.5/1950
 Max. Digging Height (mm) 9640
 Max. Digging Radius (mm) 9925

XE215C

Hydraulic Excavator

Optimum Design; Peak Performance



Original imported engine

Engine

An Imported Isuzu engine that provides powerful performance and low fuel consumption. The overall system is optimised to provide a comprehensive performance upgrade.

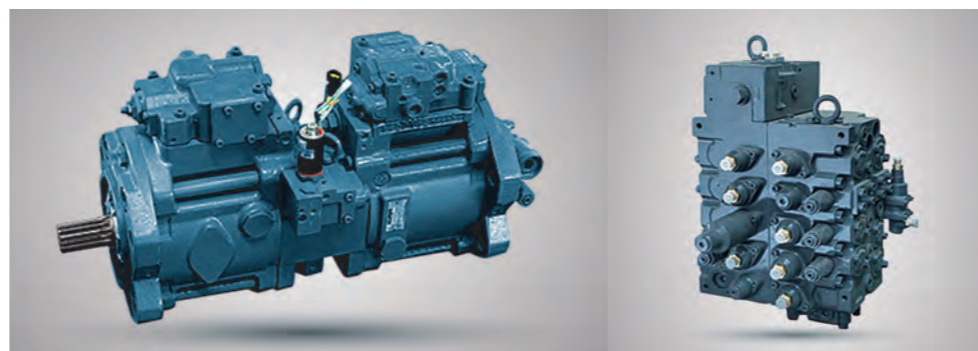
Latest fuel filter

The latest fuel filter improves filtration and ensures oil inlet quality, thus improving the reliability of the machine under harsh operating conditions.



Hydraulic system

Original imported high-end hydraulic components are configured to match capabilities for excellent performance.



Quality driving experience

Spacious cab

A new spacious cab design that provides a comfortable operating environment for the operator and improved pedal design to ensure easy and safe control.



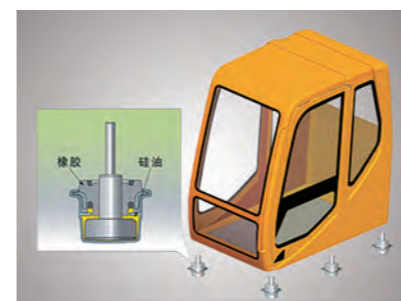
Seat

An ergonomically designed new suspension seat provides maximum comfort with a suspension air bag for weight adjustment.



Vibration proof design

Liquid sealed, vibration proof rubbers are used to further reduce vibration and noise in the cab, reducing strain on operators. The high strength sealed structure improves the overall toughness and stiffness of the cab.



Sturdy, efficient and durable

Structure

Finite element analysis is used in the structural design to strengthen key components so that they can withstand greater stress. This ensures that the machine stays durable under different harsh operating conditions.



Chassis frame

The X-beam structure improves the cross-sectional strength and ensures good overall durability and long service life.



Convenient maintenance

Filters can be easily changed and repair center can be easily accessed for convenient daily maintenance. The tool box offers great capacity to store any spare parts required.



Optional components

Optional match

Optional tools include a breaker, a cold temperature activation device, and falling object protection, all to increase the capabilities of the machine.